



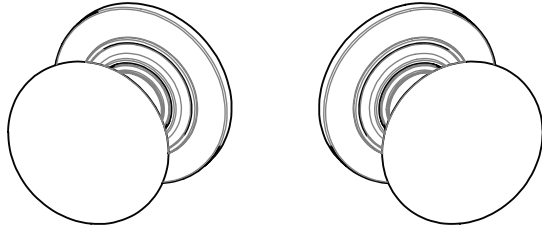
**Classic Bulb Door Sets
with Rosettes or Escutcheon Plates
Product Suite 9000**



Perhaps the most versatile of the Project-Ready Suites is that of the classic bulb door knob suite. Suited for many residential and commercial applications, the suite is a steadfast compliment to any interior.



**Classic Bulb Door Knob Passage and Dummy Sets
With Rosettes
Product Suite 9000**



Available Finishes and Finish Codes:

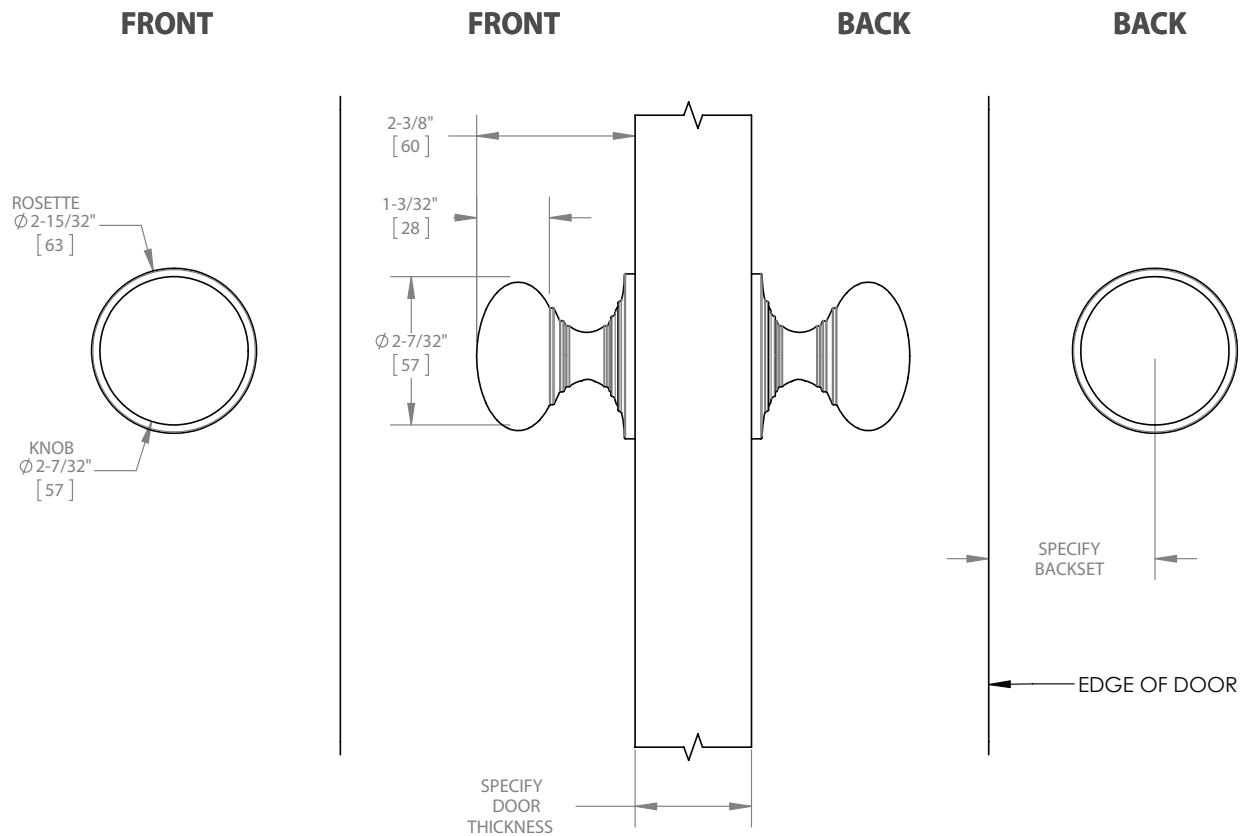
Polished Nickel	P-NI
Burnished Nickel	B-NI
Polished Brass	P-BR
Antique Brass	A-BR
Dark Brass	D-BR
Polished Chrome	P-CH
Polished Solid Bronze	P-BZ
Antique Solid Bronze	A-BZ
Dark Solid Bronze	D-BZ

Please specify the following:

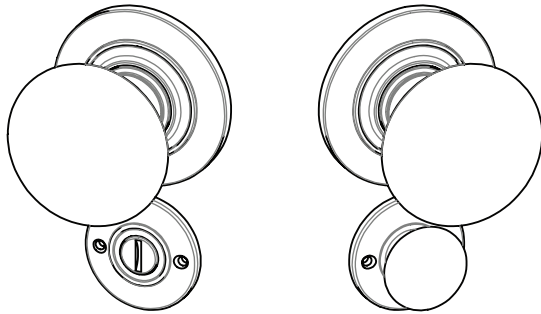
- Door Handing
Right Hand, Left Hand,
Right Hand Reverse, or Left Hand Reverse
- Door Thickness*
1-3/8in. or 1-3/4in.
- Latch/Lock Type
Tubular - Passage
Mortise - Passage
Dummy - Full Dummy or Half Dummy
- Backset*
Tubular - 2-3/8" or 2-3/4"
Mortise - 2-1/2" or 2-3/4"

***Notes:**

Alternate door thickness and backsets are available.
Please consult with your Sales Associate.



**Classic Bulb Door Knob Privacy Set
With Rosettes
Product Suite 9000**



Available Finishes and Finish Codes:

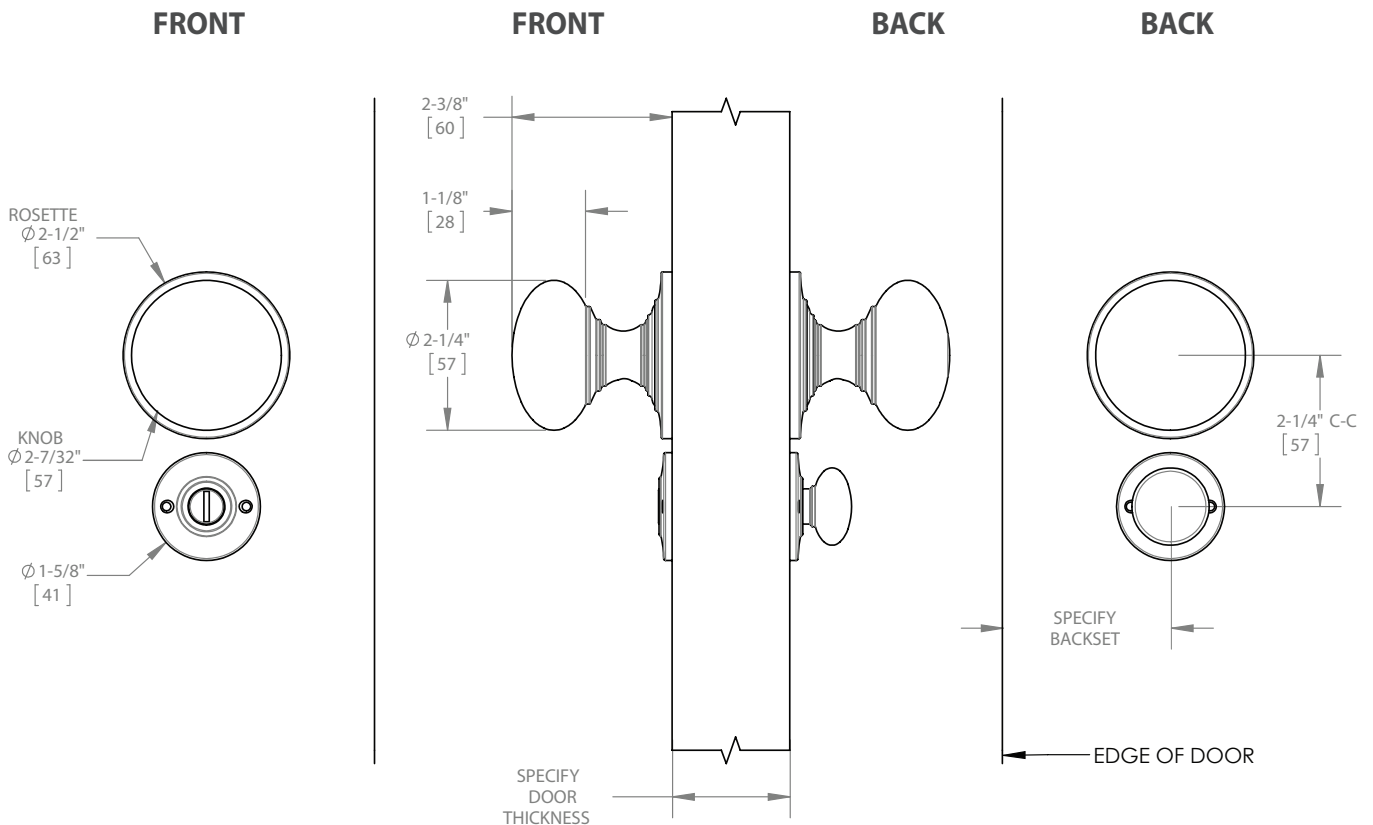
Polished Nickel	P-NI
Burnished Nickel	B-NI
Polished Brass	P-BR
Antique Brass	A-BR
Dark Brass	D-BR
Polished Chrome	P-CH
Polished Solid Bronze	P-BZ
Antique Solid Bronze	A-BZ
Dark Solid Bronze	D-BZ

Please specify the following:

- Door Handing
Right Hand, Left Hand,
Right Hand Reverse, or Left Hand Reverse
- Door Thickness*
1-3/8in. or 1-3/4in.
- Latch/Lock Type
Tubular - Privacy
Mortise - Privacy
- Backset*
Tubular - 2-3/8" or 2-3/4"
Mortise - 2-1/2" or 2-3/4"

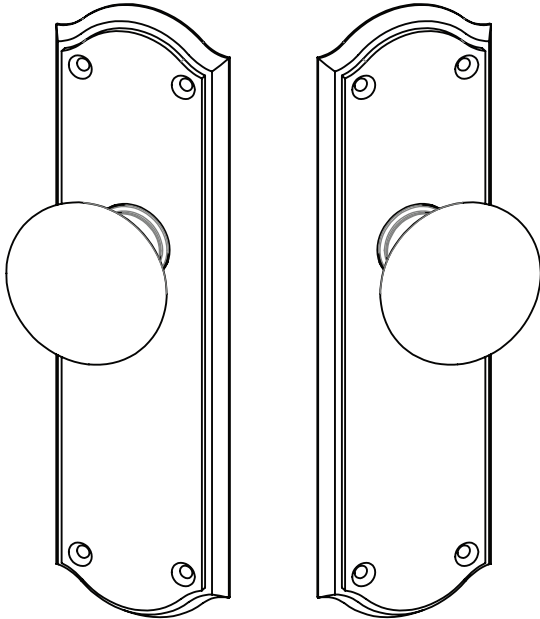
***Notes:**

Alternate door thickness and backsets are available.
Please consult with your Sales Associate.





**Classic Bulb Door Knob Passage and Dummy Sets
With Escutcheon Plates
Product Suite 9000**



Available Finishes and Finish Codes:

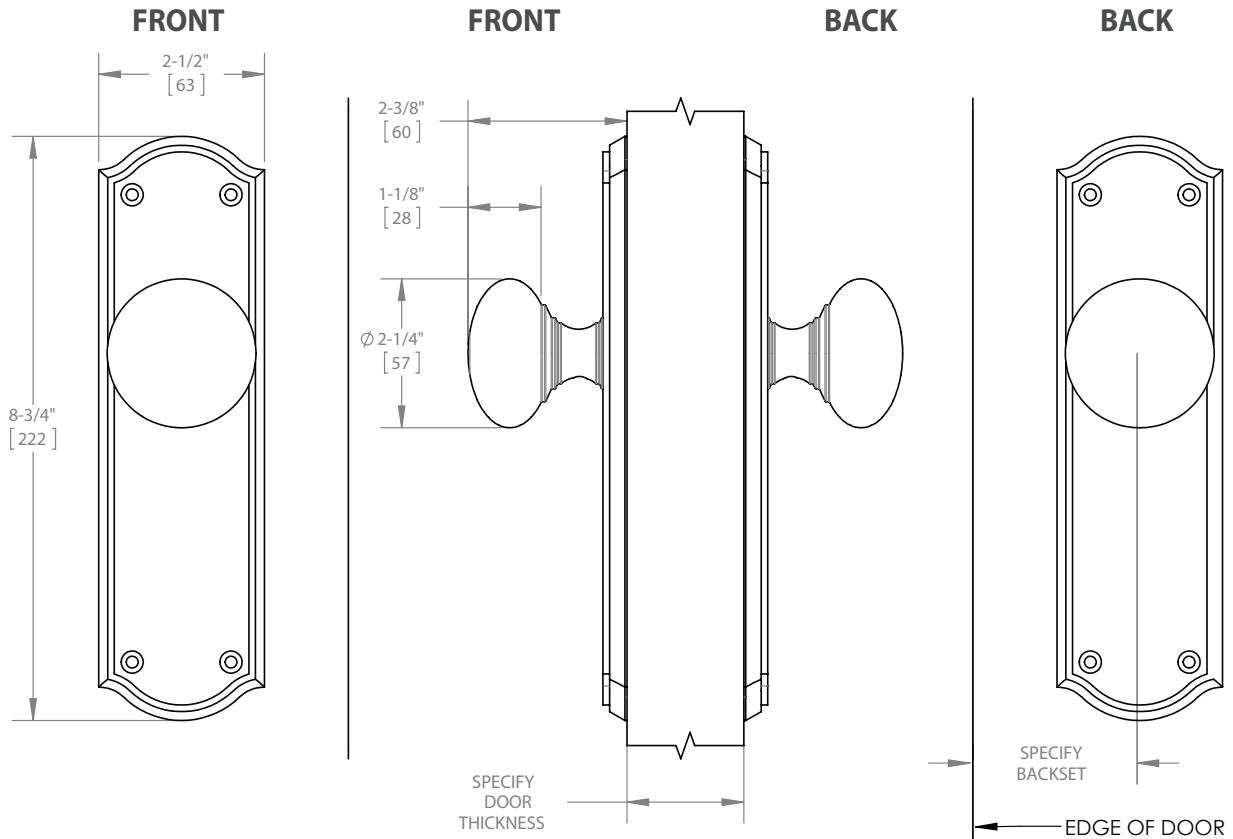
Polished Nickel	P-NI
Burnished Nickel	B-NI
Polished Brass	P-BR
Antique Brass	A-BR
Dark Brass	D-BR
Polished Chrome	P-CH
Polished Solid Bronze	P-BZ
Antique Solid Bronze	A-BZ
Dark Solid Bronze	D-BZ

Please specify the following:

- Door Handing
Right Hand, Left Hand,
Right Hand Reverse, or Left Hand Reverse
- Door Thickness*
1-3/8in. or 1-3/4in.
- Latch/Lock Type
Tubular - Passage
Mortise - Passage
Dummy - Full Dummy or Half Dummy
- Backset*
Tubular - 2-3/8" or 2-3/4"
Mortise - 2-1/2" or 2-3/4"

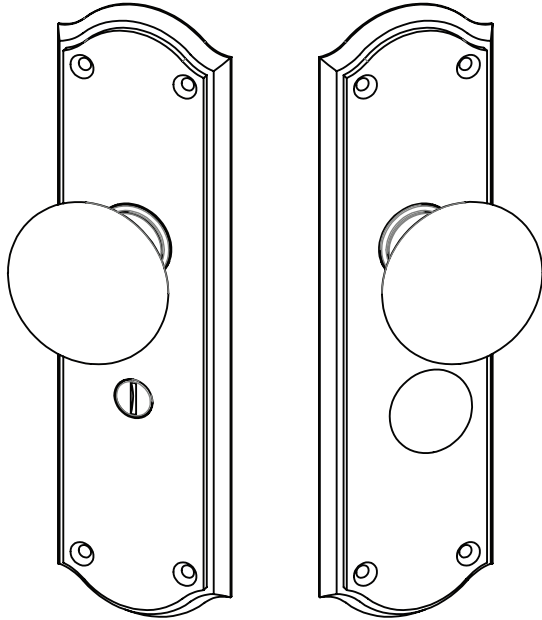
***Notes:**

Alternate door thickness and backsets are available.
Please consult with your Sales Associate.





**Classic Bulb Door Knob Privacy Set
With Escutcheon Plates
Product Suite 9000**



Available Finishes and Finish Codes:

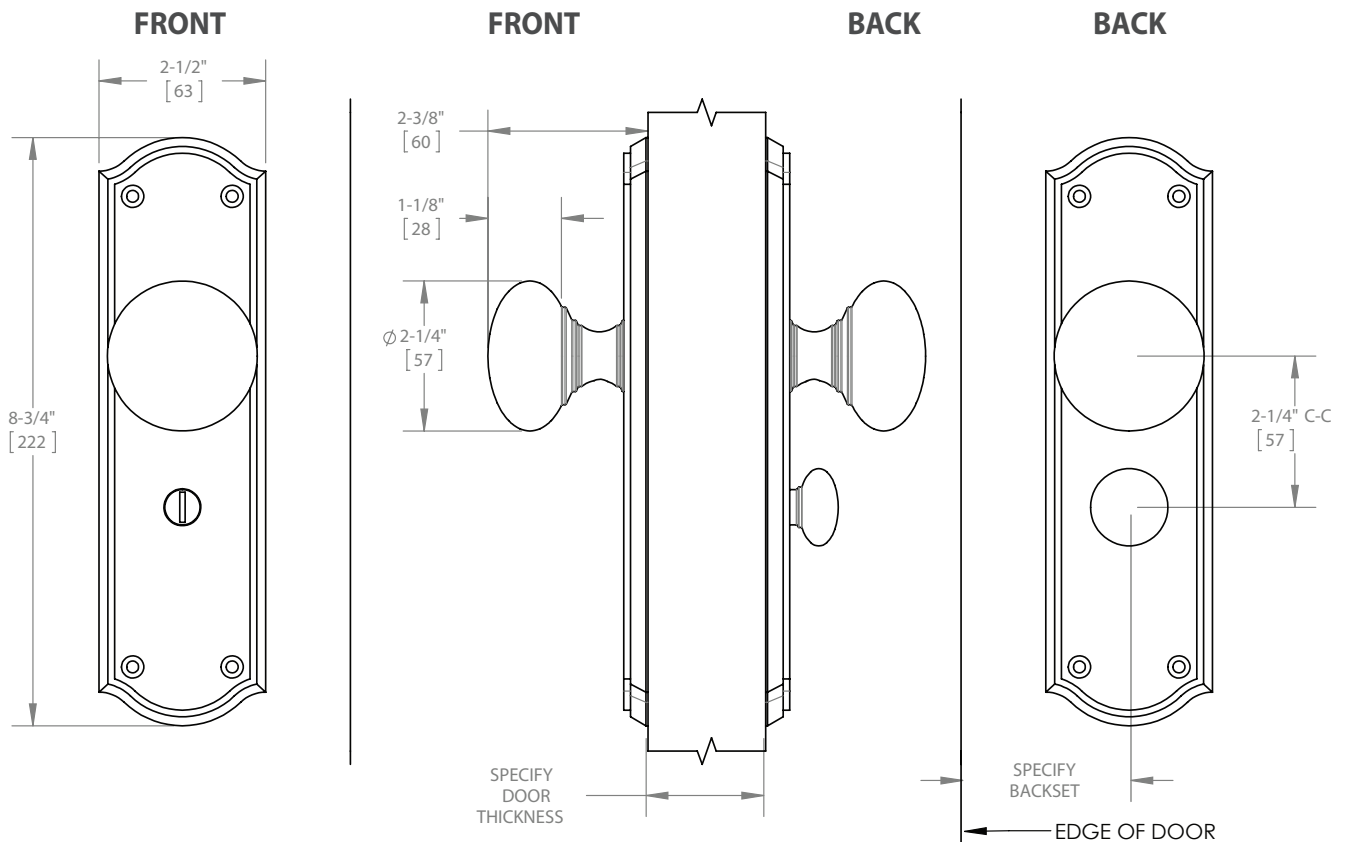
Polished Nickel	P-NI
Burnished Nickel	B-NI
Polished Brass	P-BR
Antique Brass	A-BR
Dark Brass	D-BR
Polished Chrome	P-CH
Polished Solid Bronze	P-BZ
Antique Solid Bronze	A-BZ
Dark Solid Bronze	D-BZ

Please specify the following:

- Door Handing
Right Hand, Left Hand,
Right Hand Reverse, or Left Hand Reverse
- Door Thickness*
1-3/8in. or 1-3/4in.
- Latch/Lock Type
Tubular - Privacy
Mortise - Privacy
- Backset*
Tubular - 2-3/8" or 2-3/4"
Mortise - 2-1/2" or 2-3/4"

***Notes:**

Alternate door thickness and backsets are available.
Please consult with your Sales Associate.





**Classic Bulb Door Lever Passage and Dummy Sets
With Rosettes**
Product Suite 9000

Available Finishes and Finish Codes:

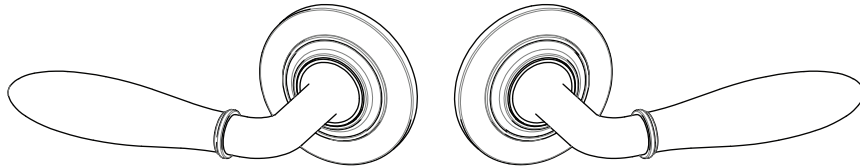
Polished Nickel	P-NI
Burnished Nickel	B-NI
Polished Brass	P-BR
Antique Brass	A-BR
Dark Brass	D-BR
Polished Chrome	P-CH
Polished Solid Bronze	P-BZ
Antique Solid Bronze	A-BZ
Dark Solid Bronze	D-BZ

Please specify the following:

- Door Handing
Right Hand, Left Hand,
Right Hand Reverse, or Left Hand Reverse
- Door Thickness*
1-3/8in. or 1-3/4in.
- Latch/Lock Type
Tubular - Passage
Mortise - Passage
Dummy - Full Dummy or Half Dummy
- Backset*
Tubular - 2-3/8" or 2-3/4"
Mortise - 2-1/2" or 2-3/4"

***Notes:**

Alternate door thickness and backsets are available.
Please consult with your Sales Associate.

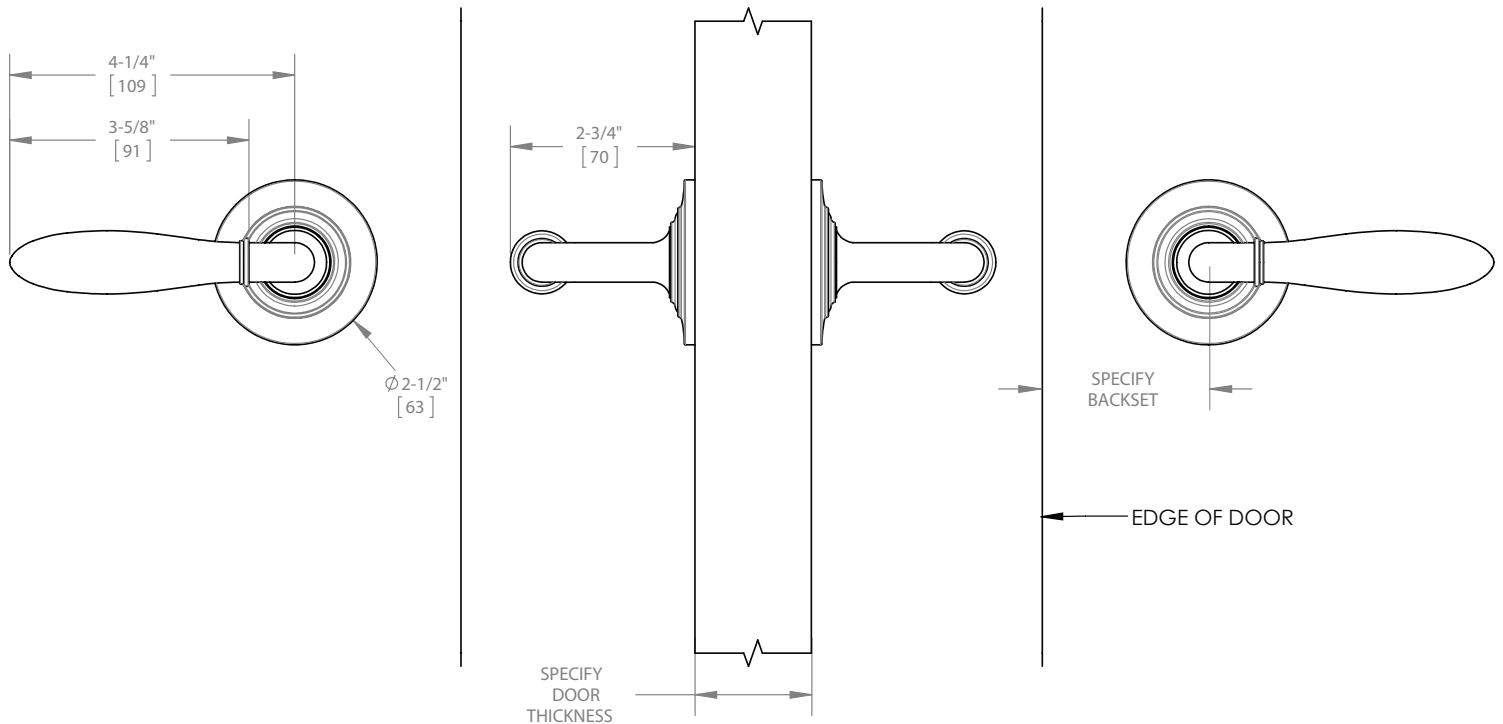


FRONT

FRONT

BACK

BACK





**Classic Bulb Door Lever Privacy Set
With Rosettes
Product Suite 9000**

Available Finishes and Finish Codes:

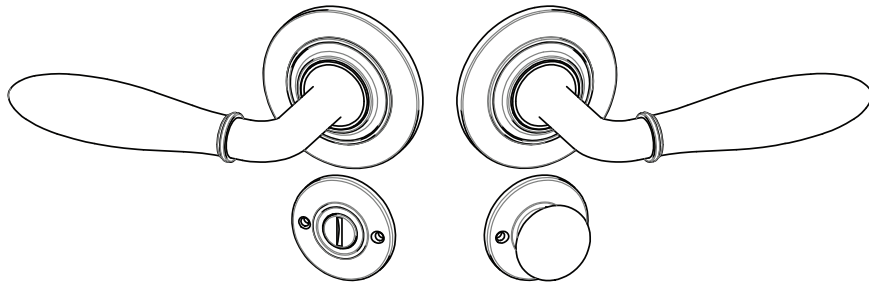
Polished Nickel	P-NI
Burnished Nickel	B-NI
Polished Brass	P-BR
Antique Brass	A-BR
Dark Brass	D-BR
Polished Chrome	P-CH
Polished Solid Bronze	P-BZ
Antique Solid Bronze	A-BZ
Dark Solid Bronze	D-BZ

Please specify the following:

- Door Handing
Right Hand, Left Hand,
Right Hand Reverse, or Left Hand Reverse
- Door Thickness*
1-3/8in. or 1-3/4in.
- Latch/Lock Type
Tubular - Privacy
Mortise - Privacy
- Backset*
Tubular - 2-3/8" or 2-3/4"
Mortise - 2-1/2" or 2-3/4"

***Notes:**

Alternate door thickness and backsets are available.
Please consult with your Sales Associate.

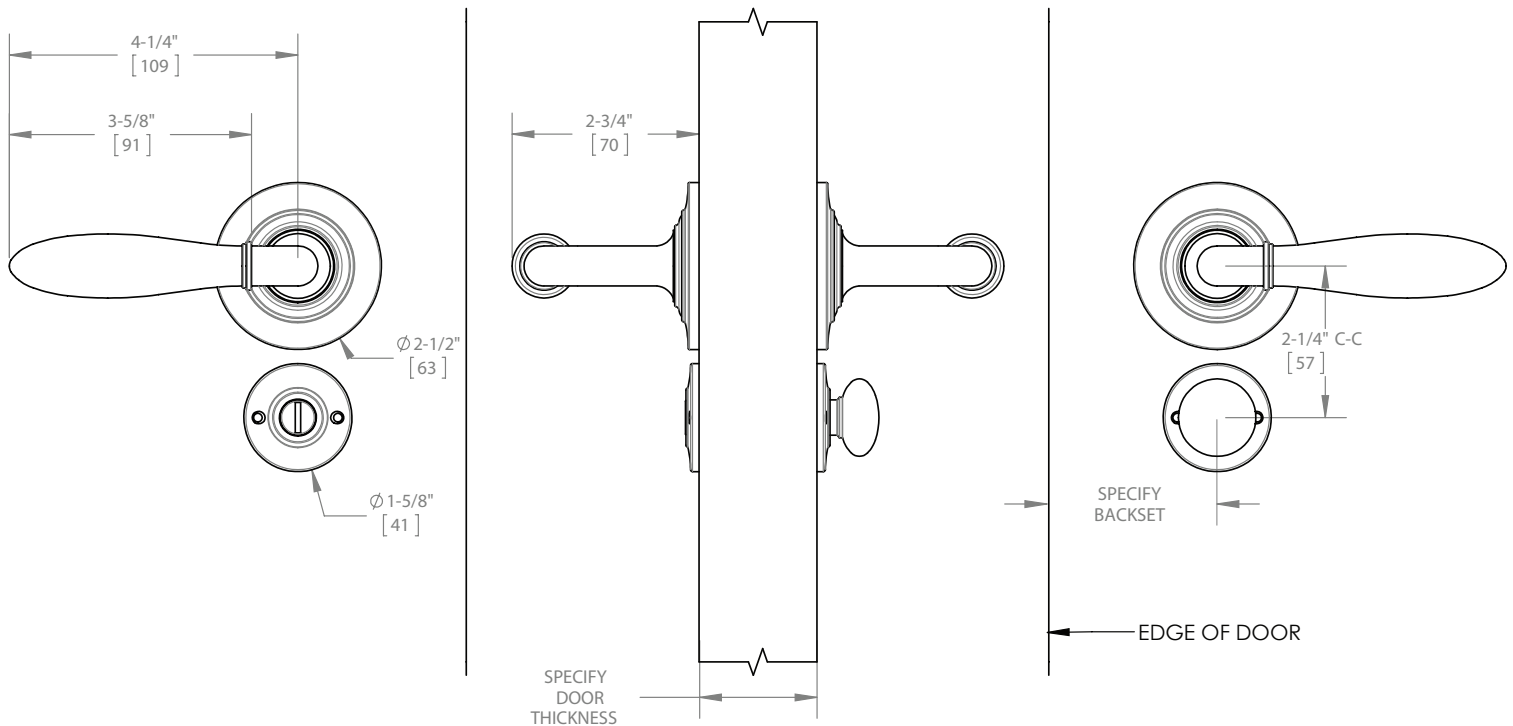


FRONT

FRONT

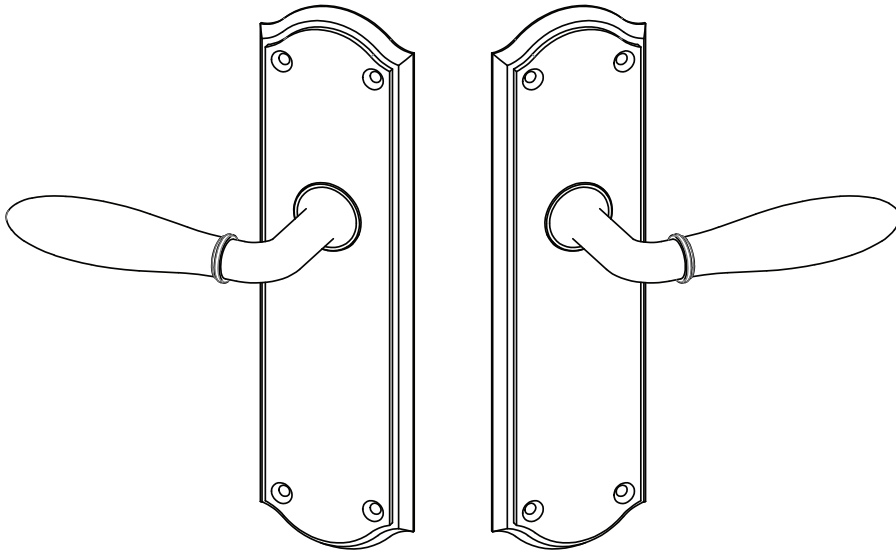
BACK

BACK





**Classic Bulb Door Lever Passage and Dummy Sets
With Escutcheon Plates
Product Suite 9000**



Available Finishes and Finish Codes:

Polished Nickel	P-NI
Burnished Nickel	B-NI
Polished Brass	P-BR
Antique Brass	A-BR
Dark Brass	D-BR
Polished Chrome	P-CH
Polished Solid Bronze	P-BZ
Antique Solid Bronze	A-BZ
Dark Solid Bronze	D-BZ

Please specify the following:

- Door Handing
Right Hand, Left Hand,
Right Hand Reverse, or Left Hand Reverse
- Door Thickness*
1-3/8in. or 1-3/4in.
- Latch/Lock Type
Tubular - Passage
Mortise - Passage
Dummy - Full Dummy or Half Dummy
- Backset*
Tubular - 2-3/8" or 2-3/4"
Mortise - 2-1/2" or 2-3/4"

***Notes:**

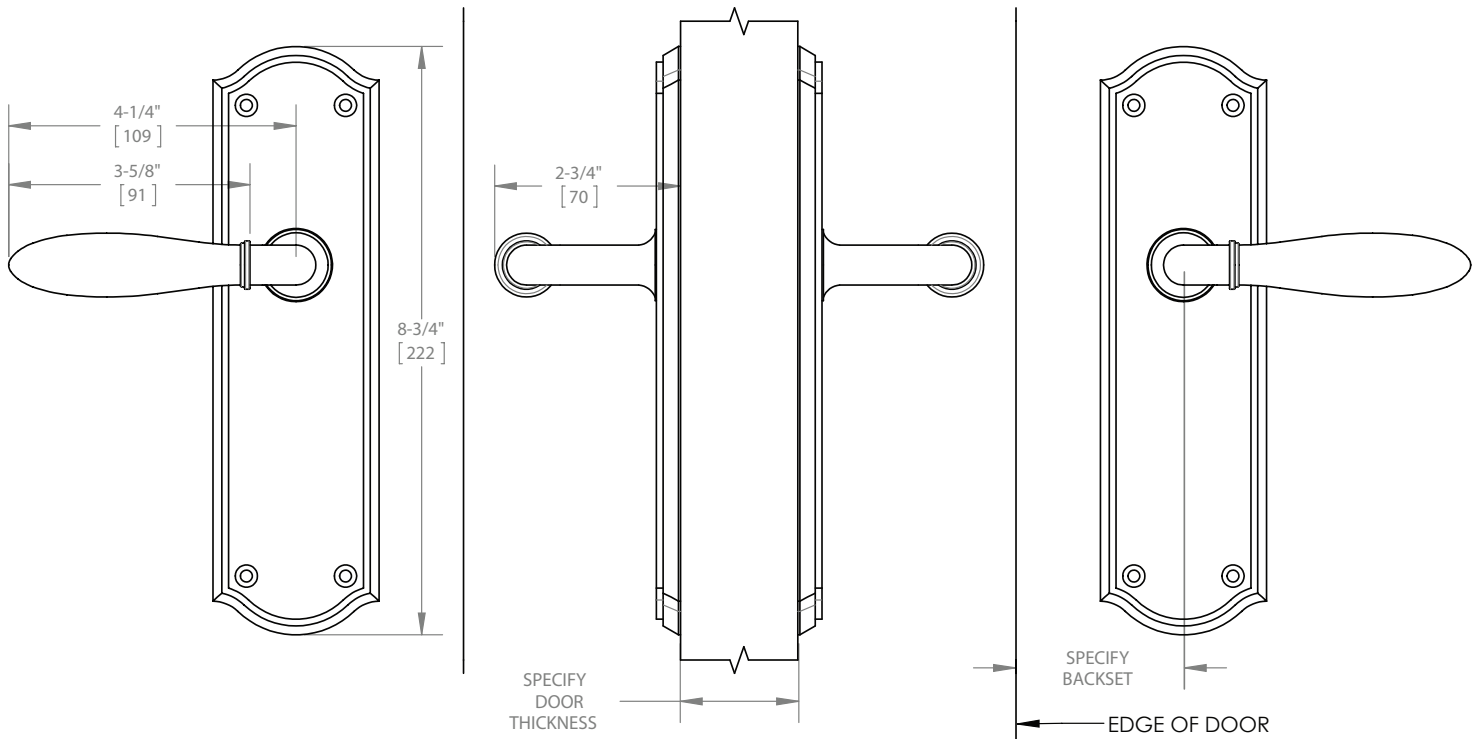
Alternate door thickness and backsets are available.
Please consult with your Sales Associate.

FRONT

FRONT

BACK

BACK





**Classic Bulb Door Lever Privacy Set
With Escutcheon Plates
Product Suite 9000**

Available Finishes and Finish Codes:

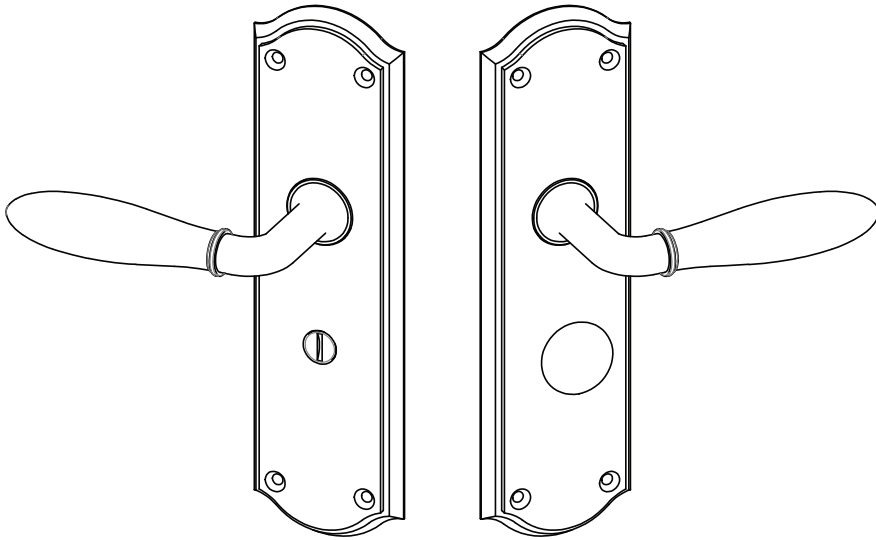
Polished Nickel	P-NI
Burnished Nickel	B-NI
Polished Brass	P-BR
Antique Brass	A-BR
Dark Brass	D-BR
Polished Chrome	P-CH
Polished Solid Bronze	P-BZ
Antique Solid Bronze	A-BZ
Dark Solid Bronze	D-BZ

Please specify the following:

- Door Handing
Right Hand, Left Hand,
Right Hand Reverse, or Left Hand Reverse
- Door Thickness*
1-3/8in. or 1-3/4in.
- Latch/Lock Type
Tubular - Privacy
Mortise - Privacy
- Backset*
Tubular - 2-3/8" or 2-3/4"
Mortise - 2-1/2" or 2-3/4"

***Notes:**

Alternate door thickness and backsets are available.
Please consult with your Sales Associate.



FRONT

FRONT

BACK

BACK

