



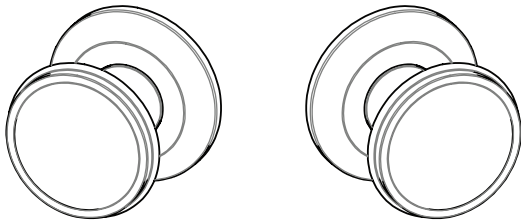
**Arts and Crafts Door Sets  
with Rosettes or Escutcheon Plates  
Product Suite 9504**



Classic and elegant, this suite pays homage to the simple themes of the arts and crafts movement. Restraint and purity is a thing of beauty.



**Arts and Crafts Door Knob Passage and Dummy Sets  
With Rosettes  
Product Suite 9504**



**Available Finishes and Finish Codes:**

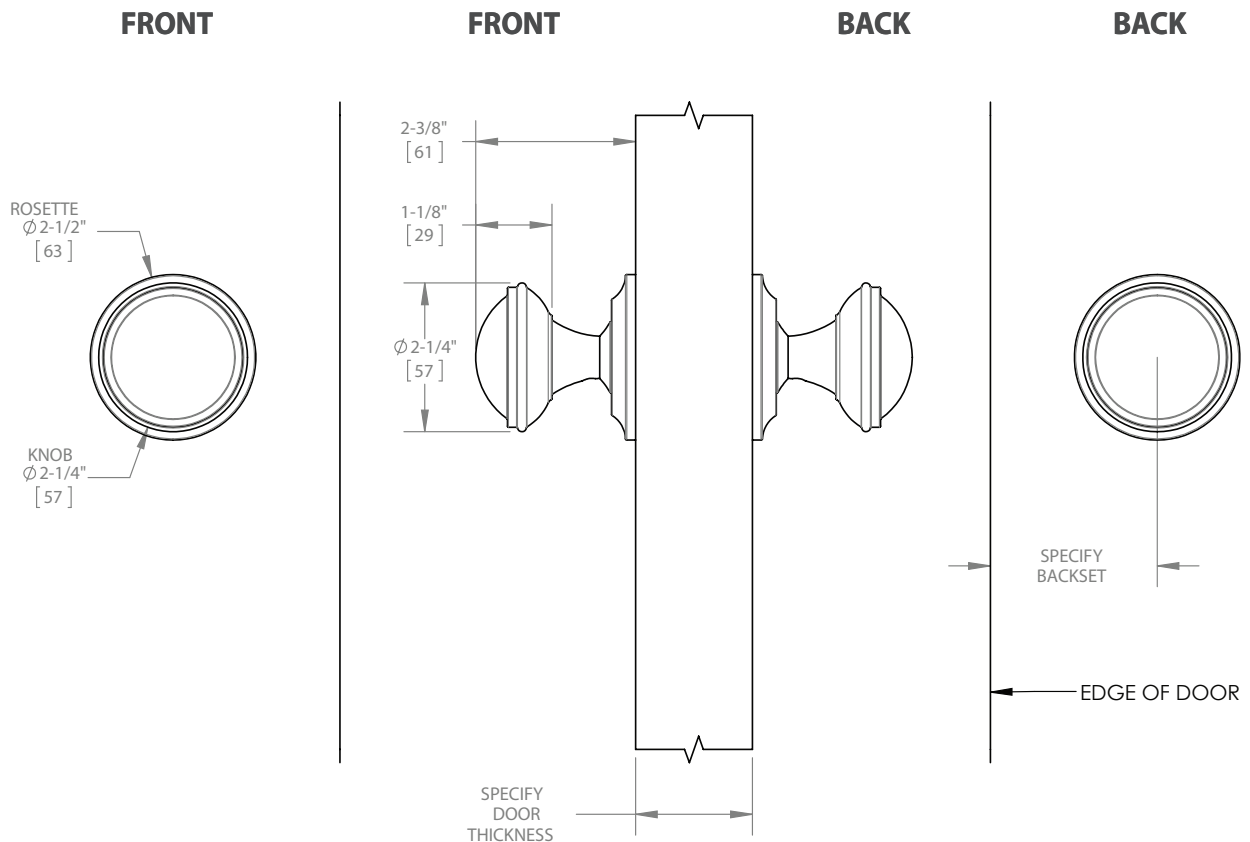
Polished Nickel	P-NI
Burnished Nickel	B-NI
Polished Brass	P-BR
Antique Brass	A-BR
Dark Brass	D-BR
Polished Chrome	P-CH
Polished Solid Bronze	P-BZ
Antique Solid Bronze	A-BZ
Dark Solid Bronze	D-BZ

**Please specify the following:**

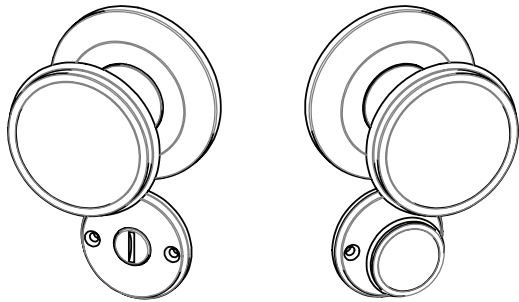
- Door Handing  
Right Hand, Left Hand,  
Right Hand Reverse, or Left Hand Reverse
- Door Thickness\*  
1-3/8in. or 1-3/4in.
- Latch/Lock Type  
Tubular - Passage  
Mortise - Passage  
Dummy - Full Dummy or Half Dummy
- Backset\*  
Tubular - 2-3/8" or 2-3/4"  
Mortise - 2-1/2" or 2-3/4"

**\*Notes:**

Alternate door thickness and backsets are available.  
Please consult with your Sales Associate.



**Arts and Crafts Door Knob Privacy Set  
With Rosettes  
Product Suite 9504**



**Available Finishes and Finish Codes:**

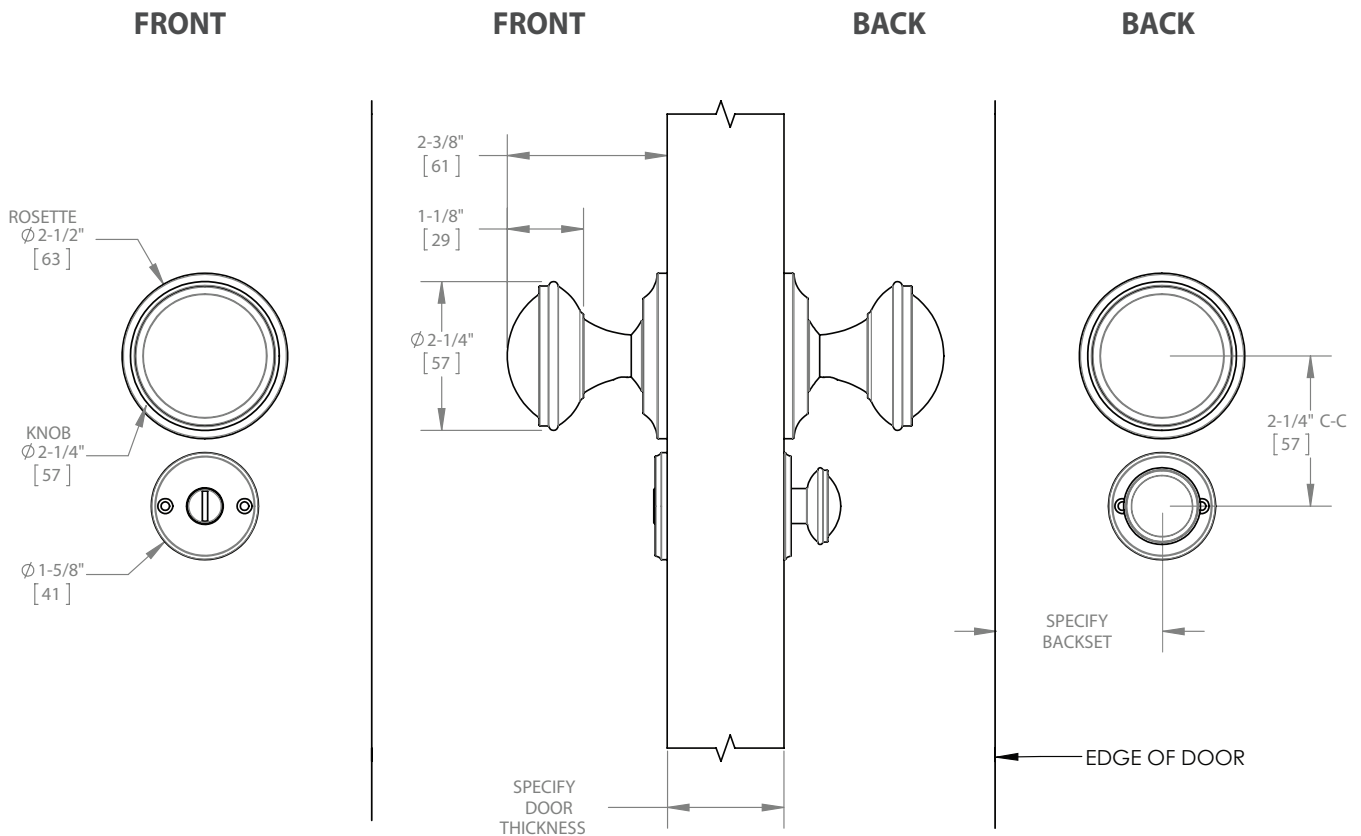
Polished Nickel	P-NI
Burnished Nickel	B-NI
Polished Brass	P-BR
Antique Brass	A-BR
Dark Brass	D-BR
Polished Chrome	P-CH
Polished Solid Bronze	P-BZ
Antique Solid Bronze	A-BZ
Dark Solid Bronze	D-BZ

**Please specify the following:**

- Door Handing  
Right Hand, Left Hand,  
Right Hand Reverse, or Left Hand Reverse
- Door Thickness\*  
1-3/8in. or 1-3/4in.
- Latch/Lock Type  
Tubular - Privacy  
Mortise - Privacy
- Backset\*  
Tubular - 2-3/8" or 2-3/4"  
Mortise - 2-1/2" or 2-3/4"

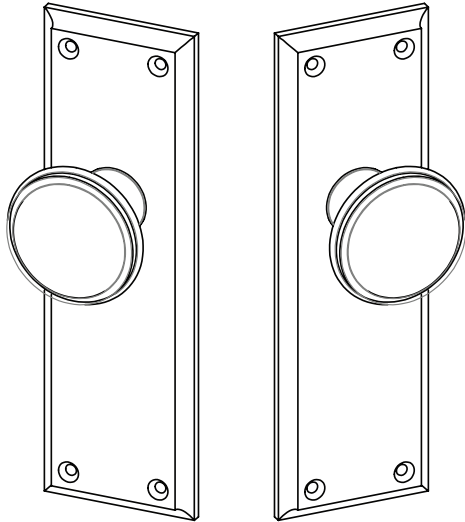
**\*Notes:**

Alternate door thickness and backsets are available.  
Please consult with your Sales Associate.





**Arts and Crafts Door Knob Passage and Dummy Sets  
With Escutcheon Plates  
Product Suite 9504**



**Available Finishes and Finish Codes:**

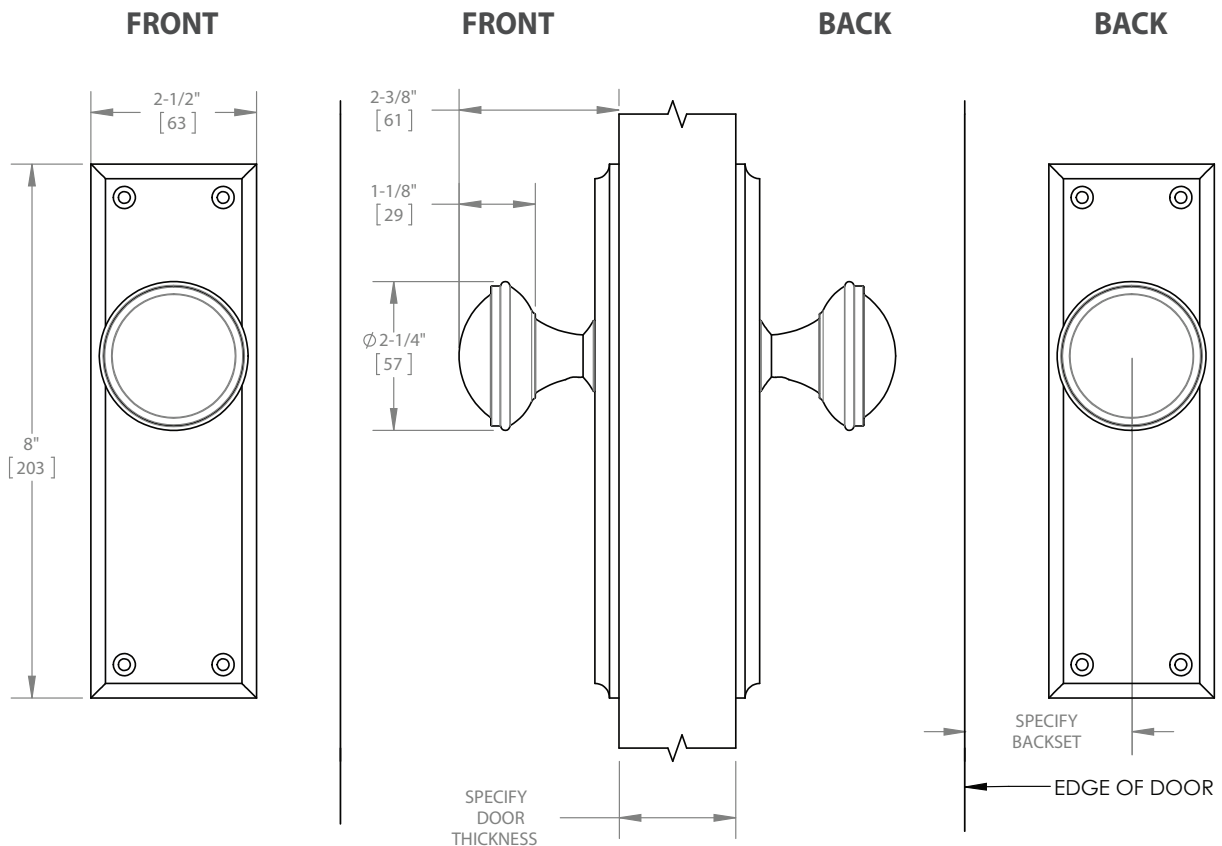
Polished Nickel	P-NI
Burnished Nickel	B-NI
Polished Brass	P-BR
Antique Brass	A-BR
Dark Brass	D-BR
Polished Chrome	P-CH
Polished Solid Bronze	P-BZ
Antique Solid Bronze	A-BZ
Dark Solid Bronze	D-BZ

**Please specify the following:**

- Door Handing  
Right Hand, Left Hand,  
Right Hand Reverse, or Left Hand Reverse
- Door Thickness\*  
1-3/8in. or 1-3/4in.
- Latch/Lock Type  
Tubular - Passage  
Mortise - Passage  
Dummy - Full Dummy or Half Dummy
- Backset\*  
Tubular - 2-3/8" or 2-3/4"  
Mortise - 2-1/2" or 2-3/4"

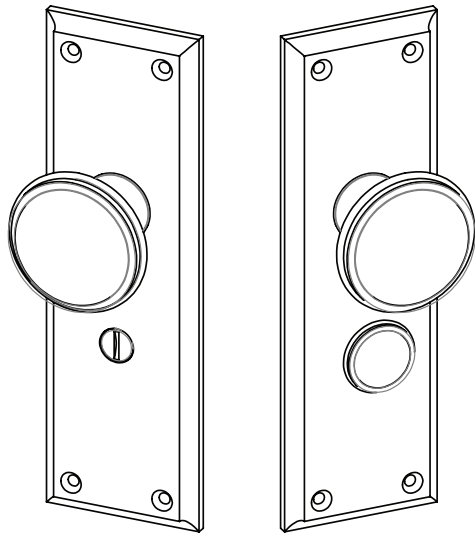
**\*Notes:**

Alternate door thickness and backsets are available.  
Please consult with your Sales Associate.





**Arts and Crafts Door Knob Privacy Set  
With Escutcheon Plates  
Product Suite 9504**



**Available Finishes and Finish Codes:**

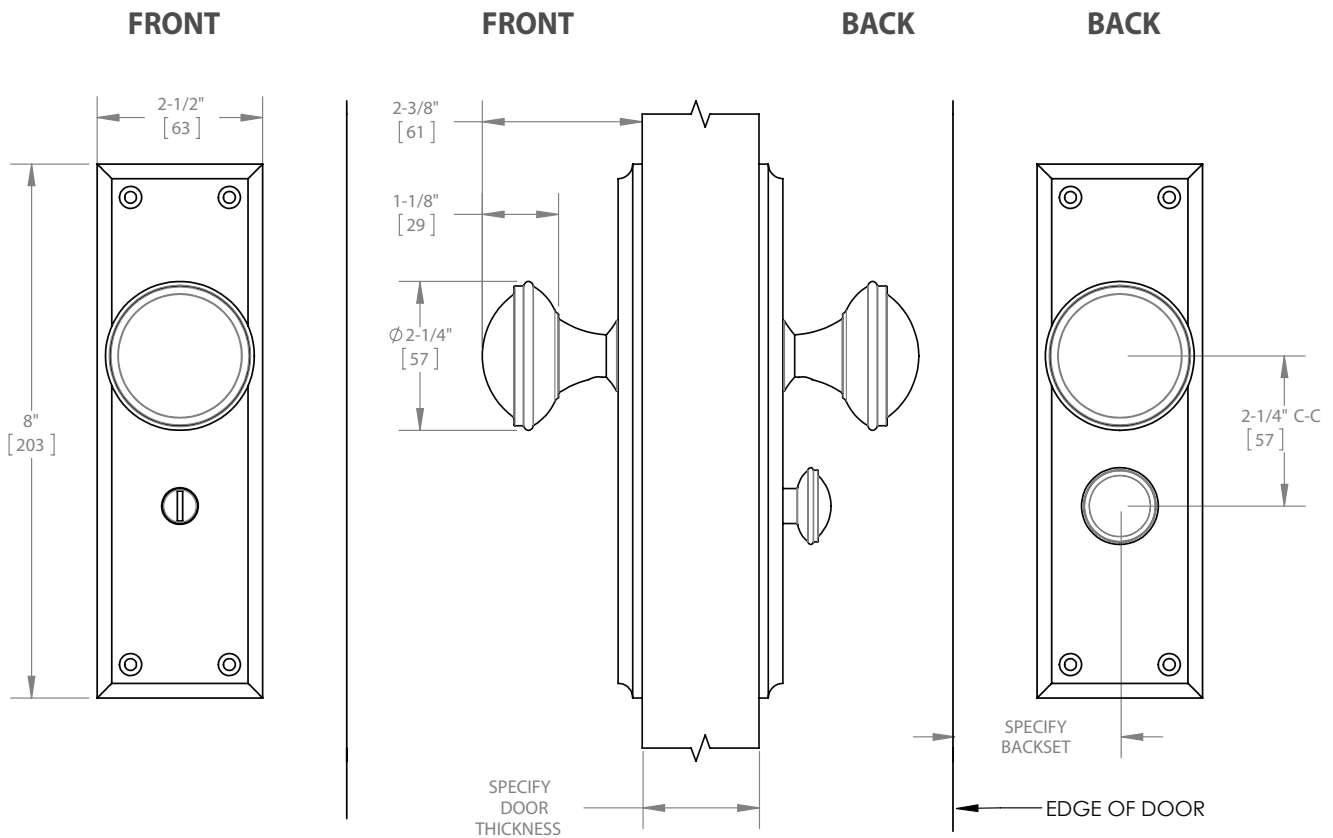
Polished Nickel	P-NI
Burnished Nickel	B-NI
Polished Brass	P-BR
Antique Brass	A-BR
Dark Brass	D-BR
Polished Chrome	P-CH
Polished Solid Bronze	P-BZ
Antique Solid Bronze	A-BZ
Dark Solid Bronze	D-BZ

**Please specify the following:**

- Door Handing  
Right Hand, Left Hand,  
Right Hand Reverse, or Left Hand Reverse
- Door Thickness\*  
1-3/8in. or 1-3/4in.
- Latch/Lock Type  
Tubular - Privacy  
Mortise - Privacy
- Backset\*  
Tubular - 2-3/8" or 2-3/4"  
Mortise - 2-1/2" or 2-3/4"

**\*Notes:**

Alternate door thickness and backsets are available.  
Please consult with your Sales Associate.





**Arts and Crafts Door Lever Passage and Dummy Sets  
With Rosettes  
Product Suite 9504**

**Available Finishes and Finish Codes:**

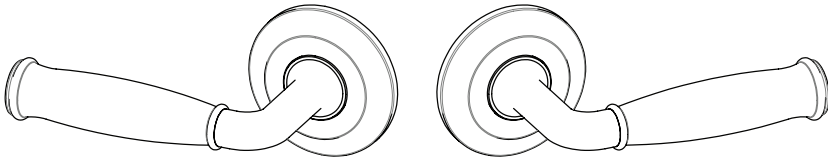
Polished Nickel	P-NI
Burnished Nickel	B-NI
Polished Brass	P-BR
Antique Brass	A-BR
Dark Brass	D-BR
Polished Chrome	P-CH
Polished Solid Bronze	P-BZ
Antique Solid Bronze	A-BZ
Dark Solid Bronze	D-BZ

**Please specify the following:**

- Door Handing  
Right Hand, Left Hand,  
Right Hand Reverse, or Left Hand Reverse
- Door Thickness\*  
1-3/8in. or 1-3/4in.
- Latch/Lock Type  
Tubular - Passage  
Mortise - Passage  
Dummy - Full Dummy or Half Dummy
- Backset\*  
Tubular - 2-3/8" or 2-3/4"  
Mortise - 2-1/2" or 2-3/4"

**\*Notes:**

Alternate door thickness and backsets are available.  
Please consult with your Sales Associate.

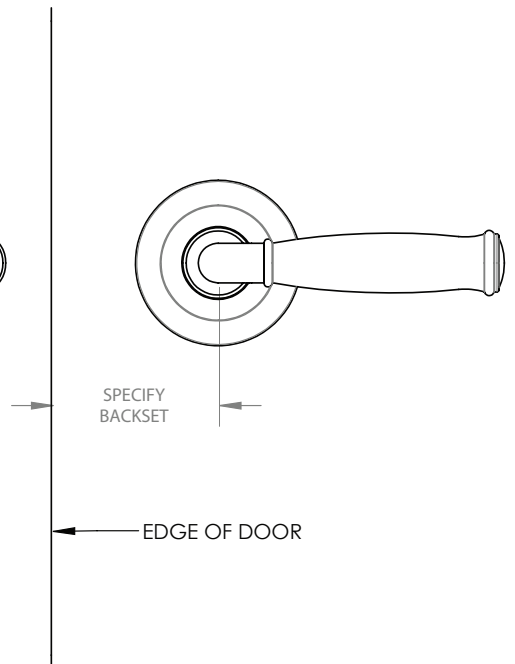
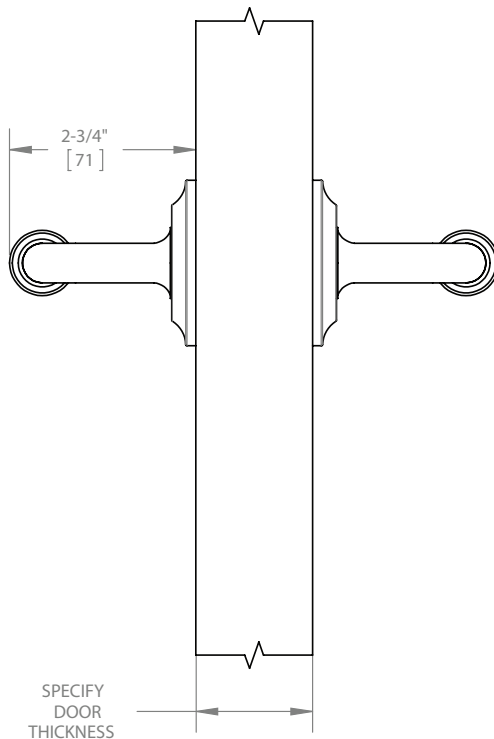
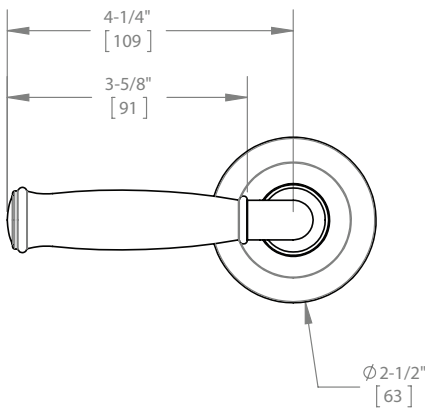


**FRONT**

**FRONT**

**BACK**

**BACK**





**Arts and Crafts Door Lever Privacy Set  
With Rosettes  
Product Suite 9504**

**Available Finishes and Finish Codes:**

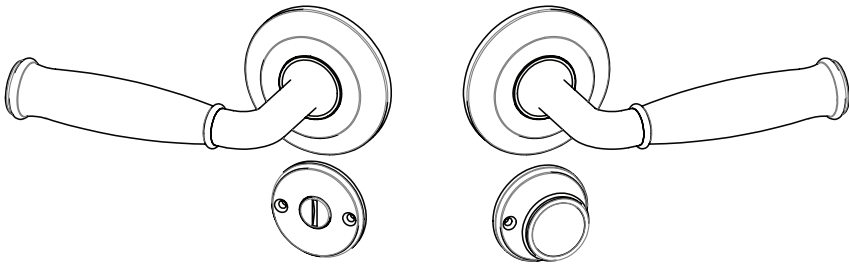
Polished Nickel	P-NI
Burnished Nickel	B-NI
Polished Brass	P-BR
Antique Brass	A-BR
Dark Brass	D-BR
Polished Chrome	P-CH
Polished Solid Bronze	P-BZ
Antique Solid Bronze	A-BZ
Dark Solid Bronze	D-BZ

**Please specify the following:**

- Door Handing  
Right Hand, Left Hand,  
Right Hand Reverse, or Left Hand Reverse
- Door Thickness\*  
1-3/8in. or 1-3/4in.
- Latch/Lock Type  
Tubular - Privacy  
Mortise - Privacy
- Backset\*  
Tubular - 2-3/8" or 2-3/4"  
Mortise - 2-1/2" or 2-3/4"

**\*Notes:**

Alternate door thickness and backsets are available.  
Please consult with your Sales Associate.

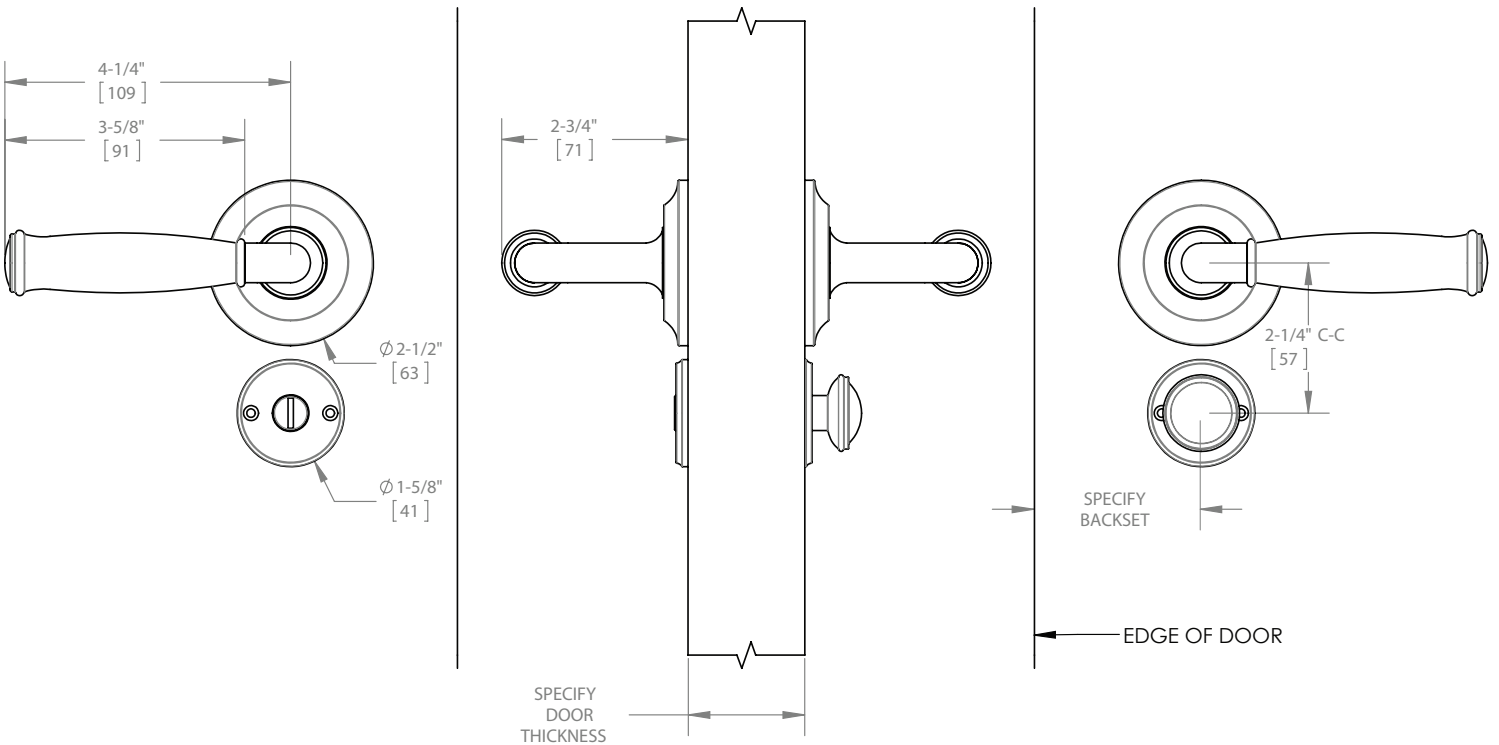


**FRONT**

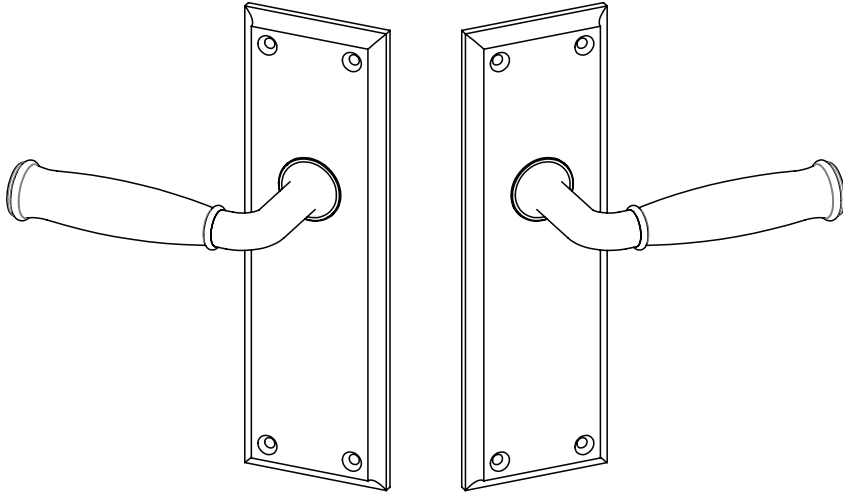
**FRONT**

**BACK**

**BACK**



**Arts and Crafts Door Lever Passage and Dummy Sets  
With Escutcheon Plates  
Product Suite 9504**



**Available Finishes and Finish Codes:**

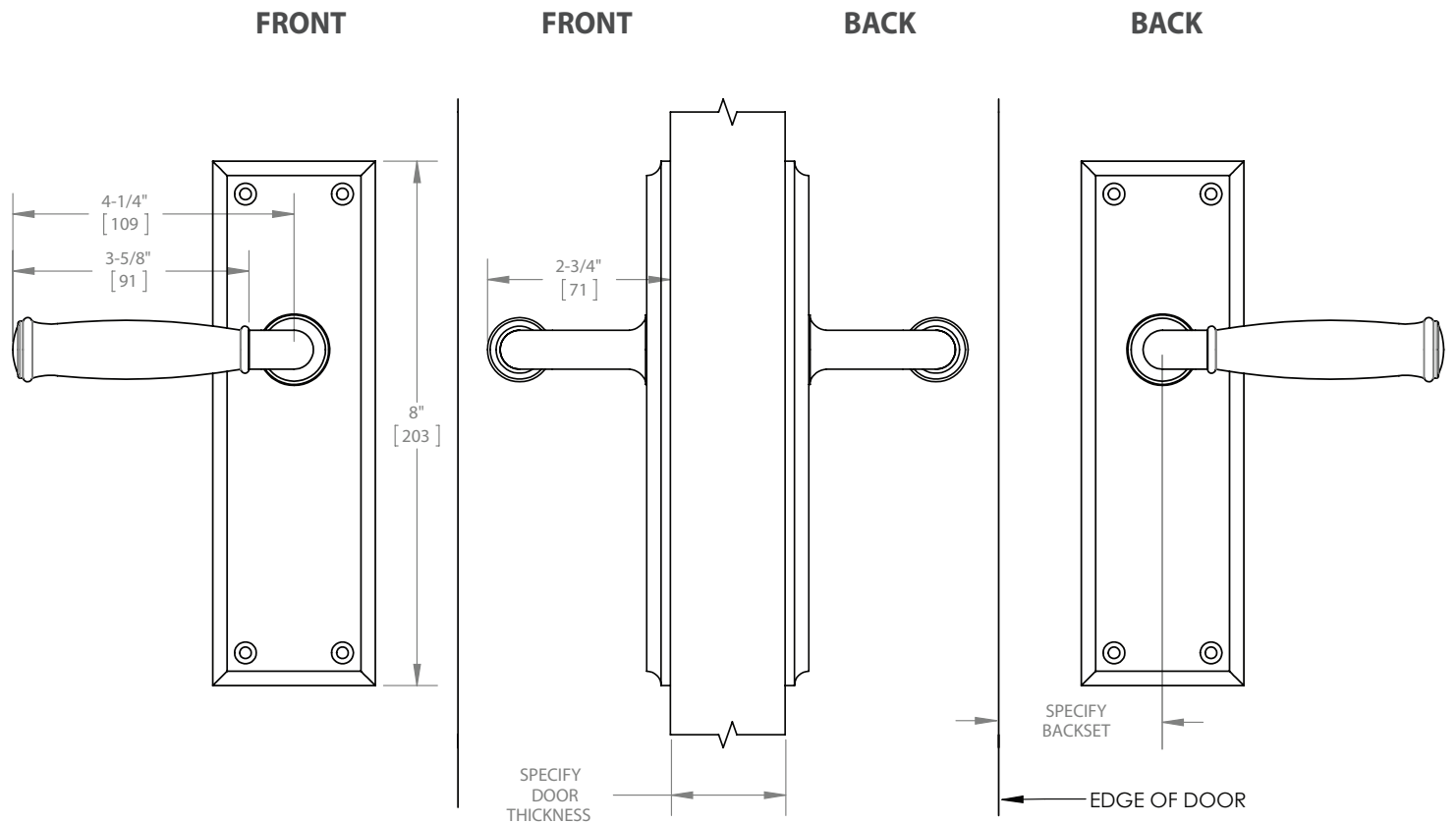
Polished Nickel	P-NI
Burnished Nickel	B-NI
Polished Brass	P-BR
Antique Brass	A-BR
Dark Brass	D-BR
Polished Chrome	P-CH
Polished Solid Bronze	P-BZ
Antique Solid Bronze	A-BZ
Dark Solid Bronze	D-BZ

**Please specify the following:**

- Door Handing  
Right Hand, Left Hand,  
Right Hand Reverse, or Left Hand Reverse
- Door Thickness\*  
1-3/8in. or 1-3/4in.
- Latch/Lock Type  
Tubular - Passage  
Mortise - Passage  
Dummy - Full Dummy or Half Dummy
- Backset\*  
Tubular - 2-3/8" or 2-3/4"  
Mortise - 2-1/2" or 2-3/4"

**\*Notes:**

Alternate door thickness and backsets are available.  
Please consult with your Sales Associate.







**Arts and Crafts Door Lever Privacy Set  
With Escutcheon Plates  
Product Suite 9504**

**Available Finishes and Finish Codes:**

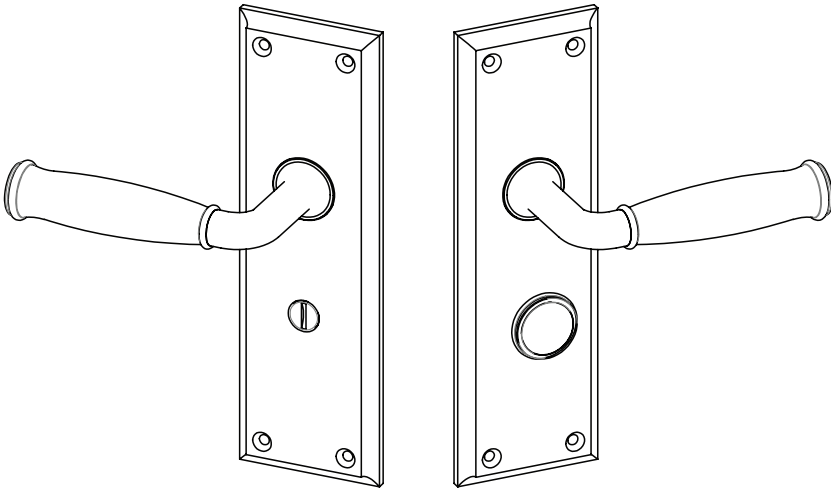
Polished Nickel	P-NI
Burnished Nickel	B-NI
Polished Brass	P-BR
Antique Brass	A-BR
Dark Brass	D-BR
Polished Chrome	P-CH
Polished Solid Bronze	P-BZ
Antique Solid Bronze	A-BZ
Dark Solid Bronze	D-BZ

**Please specify the following:**

- Door Handing  
Right Hand, Left Hand,  
Right Hand Reverse, or Left Hand Reverse
- Door Thickness\*  
1-3/8in. or 1-3/4in.
- Latch/Lock Type  
Tubular - Privacy  
Mortise - Privacy
- Backset\*  
Tubular - 2-3/8" or 2-3/4"  
Mortise - 2-1/2" or 2-3/4"

**\*Notes:**

Alternate door thickness and backsets are available.  
Please consult with your Sales Associate.



**FRONT**

**FRONT**

**BACK**

**BACK**

